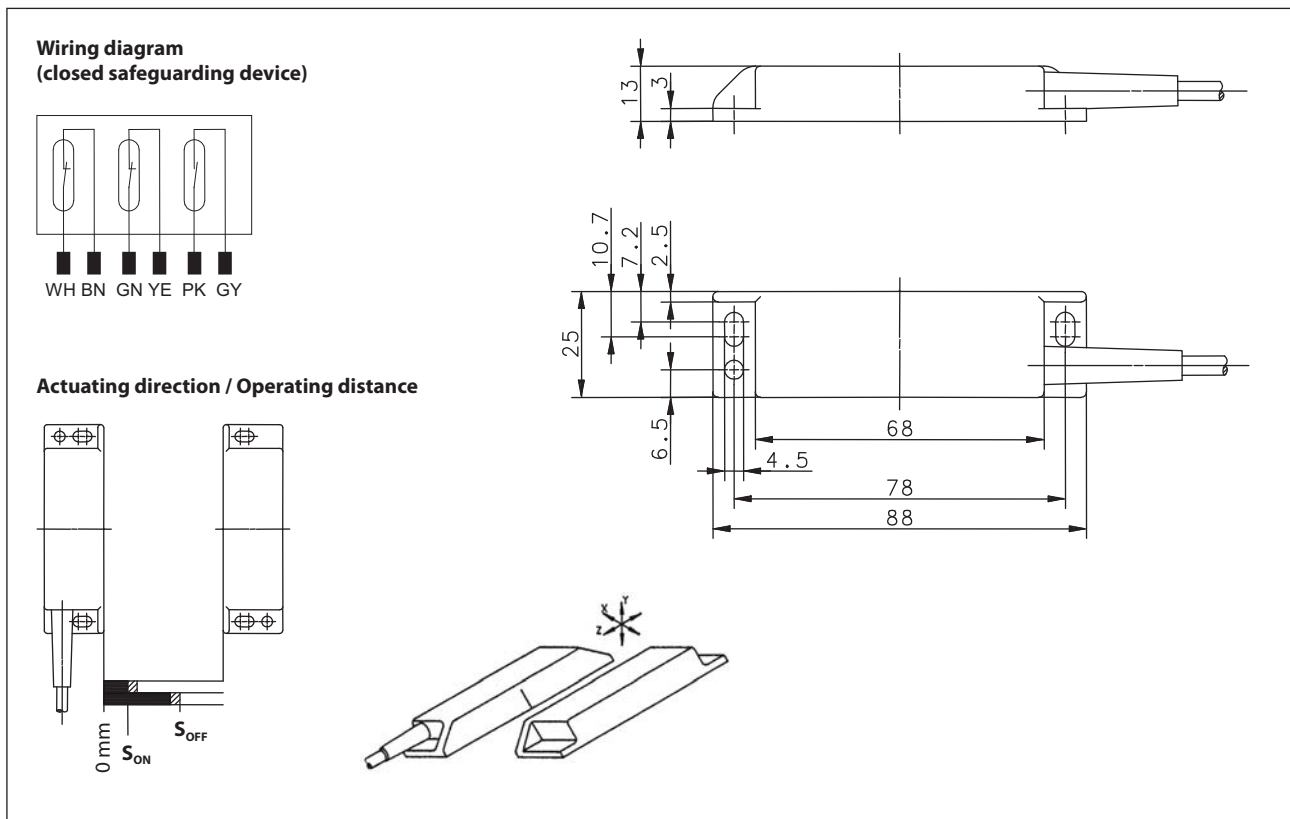


Magnetic Switch

Series MA-42

Description **MAK-4256-3**

Article number **6490642046**



Identifying characteristics in accordance with EN 60947-5-2 and EN 62246-1

Electrical data		
Operating distance for the safety circuit (WH/BN, GN/YE)	S _{an} ≥ 5 mm S _{ab} ≤ 14 mm	
Admissible axial offset (Y Axis) (Z Axis)	± 2 mm ± 3 mm	
Actuation	Coded magnetic system of type TK-42-CD/2 (6402042053)	
Output	2 x N.C. for the safety circuit 1 x N.O. for signalling purposes (PK/GY; not coded)	
Max. voltage	130 V DC	
Mechanical lifetime	3 x 10 ⁸ switchings, however, according to the load resetability	
Repeat accuracy	R	± 0,1mm (under same geometrical conditions at the same temperature)